


Main Features

- Class 1.6 according to EN 837-1
- Wetted parts Stainless steel
- Fully welded version
- Option : liquid-filled for applications with pulsations or vibrations

Application

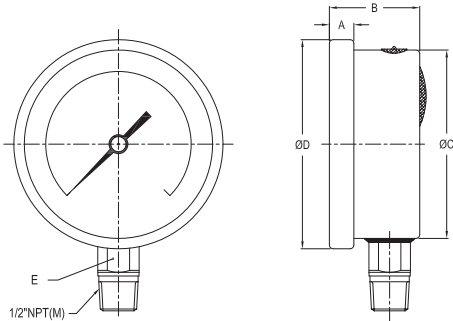
- General purpose
- Clean air
- Non corrosive gases / liquid media
- Transportation & Logistics
- Machinery

Technical Data

Nominal size	100 mm	Bezel ring	Stainless steel 1.4301 (AISI 304)
Measurement range	-1 ... 0 to 0 ... 70 bar	Movement	Stainless steel
Pressure limitation	Steady : 100% of full scale value Fluctuating : 60% of full scale value Short time : 125% of full scale value	Window	Plexi glass
Accuracy	Class 1.6 (according EN837-1)	Window gasket	Neoprene
Protection rating	IP 65 (EN 60529)	Dial	Aluminium, white
Process Connection	Stainless steel 1.4301 (AISI 304)	Pointer	Aluminium, black
Bourdon tube	Stainless steel 1.4404 (AISI 316L)	Temperature	Ambient : -20 ... +70°C Medium : -40 ... +200°C (not filled) -20 ... +70°C (filled)
Case	Stainless steel 1.4301 (AISI 304)	Thermal drift	± 0.4% F.S. / 10 K (reference : 20°C)

Options

Adjustable micro metric pointer (P ≥ 1.6 bar)	Code 0678	To be ordered separately	
Adjustable friction pointer	Code 0679	Material certificate 3.1 EN10204	Code Q1229
Window laminated safety glass	Code 0751	Calibration certificate EN837-1	Code Q1070
Restrictor screw Ø 0.5 (for fittings > 1/4")	Code 0771	(5 points raising and 5 points falling)	
SS tag plate	Code 9941		
Dial tag marking	Code 9936		

Dimensions - Type of mounting


NS	A	B	ØC	ØD	E	Weight
100	8	46	100	110	22	0.48 Kg

Notes : • Drawings are not to scale. • All Dimensions are in mm • NS = Nominal size
 • Weights mentioned are approximate and for standard product. Weight can be different after selection of options.

Pressure ranges

Code	Bar
B59	-1 ... 0
B72	-1 ... 0.6
B74	-1 ... 1.5
B76	-1 ... 3
B77	-1 ... 5
B79	-1 ... 9
B81	-1 ... 15
B82	-1 ... 24
B12	0 ... 0.6
B15	0 ... 1
B16	0 ... 1.6
B18	0 ... 2.5
B19	0 ... 4
B20	0 ... 6
B22	0 ... 10
B24	0 ... 16
B26	0 ... 25
B27	0 ... 40
B29	0 ... 60

Code	kPa
D59	-100 ... 0
D72	-100 ... 60
D74	-100 ... 150
D76	-100 ... 300
D77	-100 ... 500
D79	-100 ... 900
D81	-100 ... 1 500
D82	-100 ... 2 400
D12	0 ... 60
D15	0 ... 100
D16	0 ... 160
D18	0 ... 250
D19	0 ... 400
D20	0 ... 600
D22	0 ... 1 000
D24	0 ... 1 600
D26	0 ... 2 500
D27	0 ... 4 000
D29	0 ... 6 000

Code	kg/cm ²
F59	-1 ... 0
F72	-1 ... 0.6
F74	-1 ... 1.5
F76	-1 ... 3
F77	-1 ... 5
F79	-1 ... 9
F81	-1 ... 15
F82	-1 ... 24
F12	0 ... 0.6
F15	0 ... 1
F16	0 ... 1.6
F18	0 ... 2.5
F19	0 ... 4
F20	0 ... 6
F22	0 ... 10
F24	0 ... 16
F26	0 ... 25
F27	0 ... 40
F29	0 ... 60

Code	psi
H59	-30" Hg ... 0
H73	-30" Hg ... 15
H75	-30" Hg ... 30
H2C	-30" Hg ... 60
H78	-30" Hg ... 100
H79	-30" Hg ... 150
H81	-30" Hg ... 220
H82	-30" Hg ... 300
H13	0 ... 10
H15	0 ... 15
H1C	0 ... 20
H17	0 ... 30
H19	0 ... 60
H21	0 ... 100
H22	0 ... 160
H23	0 ... 200
H25	0 ... 300
H26	0 ... 400
H27	0 ... 600
H30	0 ... 1 000

